

# FS1100 Series

## One Piece Threaded End Fire Safe Ball Valve

### FEATURES & BENEFITS

- Applications for Hydraulic, Chemical, Steam, Oil/ Gas, Oxygen, Vacuum
- API 607 Fire-Safe approved
- 1 piece body retainer screw in design, no leakage paths through the body provide maximum safety
- Thrust washer prevents galling, reduces torque and provides secondary stem seal
- Long cycle life, low uniform torques
- Adjustable stem packing
- Bottom entry blow-out proof stem design provides maximum safety
- Self-adjusting stem packing assembly with Belleville spring for temperature fluctuations and vibration
- Locking device available
- Investment cast body construction
- DIN EN 10204-3.1 certificate available



### SPECIFICATIONS

- Construction: 1 piece retainer screw in end-entry floating ball design
- Flow bore: Reduced Port
- Rating: 2000 PSI; 150 PSI Saturated Steam
- Temperature: -20° F to 400° F (PTFE/TFM1600)
- Materials: ASTM, CF8M, CF8, WCB
- Size range: 1/4" – 2"

### STANDARDS

- Female pipe threaded to NPT, DIN 259/2999, BS21
- Inspection & testing according to API 598
- API 607 4th Edition, Fire Safe Test approved
- PED 97/23/EC

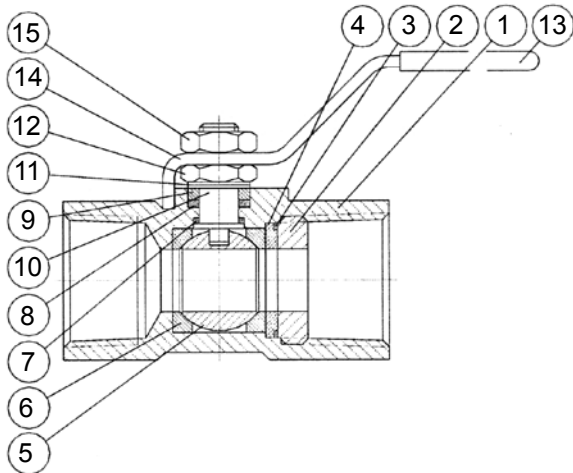
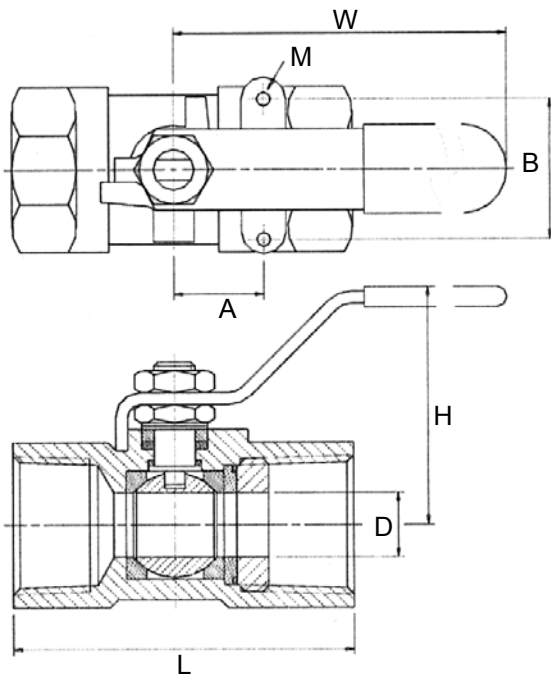
### ORDERING SCHEMATIC

Series	Body	TRIM	Port	Packing	Seat	Ends
FS11	2 WCB 3 316	3 316	R Reduced	G Graphoil	TFM Super Teflon R RPTFE	S NPT

# J Flow Controls

J Flow Controls, LLC  
 14 De Camp • Cincinnati, OH 45216  
 Phone: 513-731-2900 • Fax 513-731-6939  
[www.jflowcontrols.com](http://www.jflowcontrols.com)

# ENGINEERING



## DIMENSIONS

Size	D	L	W	H	A	B	M	Weight
1/4"	0.36	2.64	4.33	1.81	0.50	1.12	10-24UNC	0.88
3/8"	0.36	2.64	4.33	1.81	0.50	1.12	10-24UNC	0.88
1/2"	0.36	2.64	4.33	1.81	0.50	1.12	10-24UNC	0.88
3/4"	0.49	2.80	4.33	1.97	0.50	1.12	10-24UNC	1.32
1"	0.63	3.31	5.51	2.36	0.87	1.37	10-24UNC	2.20
1-1/4"	0.79	3.70	5.51	2.56	0.87	1.37	10-24UNC	3.31
1-1/2"	0.96	3.94	6.30	2.83	0.93	1.50	1/4"-20UNC	4.85
2"	1.26	4.65	6.30	3.07	0.93	1.50	1/4"-20UNC	8.38

## MATERIALS LIST

No.	Part Name	Material
1	Body	CF8M / WCB
2	Retainer	SS316 / A108
3	Body Seal	Graphite
4	Seat Retainer	SS316 / A108
5	Solid Ball	CF8M
6	Ball Seat	TFM1600 / PTFE
7	Thrust Washer	PTFE
8	Stem Packing	Graphite
9	Gland Ring	SS04
10	Stem	SS316 / SS304
11	Belleville Spring	SS301
12	Nut	SS304
13	Handle Sleeve	Vinyl
14	Handle	SS304 / Zinc Plated Steel
15	Handle Nut	SS304

## VALVE SEAT RATING

