

DM5100/5200 Series

T Port / L Port Three Way Valves

FEATURES & BENEFITS

- Oval handle, 45° handle
- Available in stainless steel or carbon steel
- Body and ends are investment cast
- Self adjusting stem packing
- Available in T-port or L-port
- 4 piece ball seats (PTFE + 15% C.F.)
- Blow-out proof stem design
- Full port and standard (reduced port)
- 100% air tested under water at 100 psi
- Work pressure to 800 psi
- Temperature range -20°F to +450°F
- ISO 5211 mounting pad/connection DIN 3337
- End type: threaded
- Locking device
- Silicone free



Size	Torque in-lbs	T Port (Cv)	L Port (Cv)	Weight Lb
1/2"	100	5	4	0.9
3/4"	150	16	11	1.9
1"	250	16	11	1.9
1-1/4"	350	33	22	5.0
1-1/2"	500	85	56	8.0
2"	700	160	110	12.0

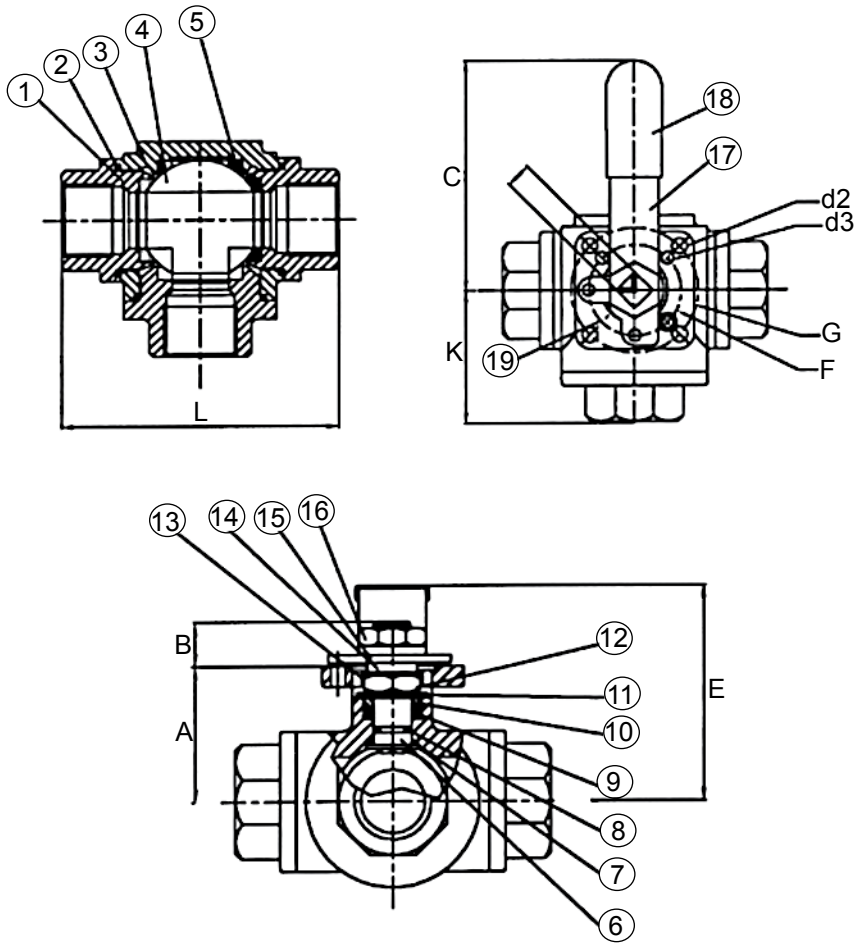
ORDERING SCHEMATIC

Series		Material		Port		Packing		Seat		End Connection	
DM51	T Port	23	Carbon	F	Full Port	T	Teflon	M	Metal Seated	S	Threaded
DM52	L Port	33	Stainless	R	Reduced	TC	Carbon Super Teflon	T	Teflon	SW	Socket Weld
						TM	Super Teflon	TM	Super Teflon		
								TC	Carbon Super Teflon		

J Flow Controls

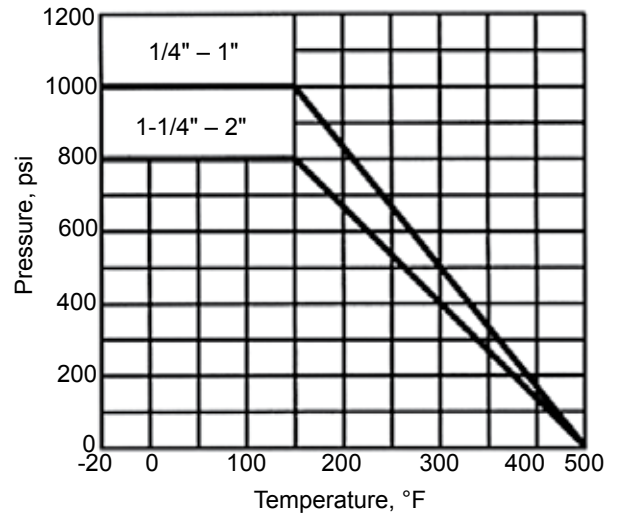
J Flow Controls, LLC
 14 De Camp • Cincinnati, OH 45216
 Phone: 513-731-2900 • Fax 513-731-6939
www.jflowcontrols.com

DIMENSIONS



Size	A	B	C	d1	d2	E	F	G	H	K	L	Wt
1/4"	1.5	0.4	5.1	0.2	0.2	2.4	1.4	1.7	0.4	1.4	2.8	1.4
3/8"	1.5	0.4	5.1	0.2	0.2	2.4	1.4	1.7	0.4	1.4	2.8	1.3
1/2"	1.6	0.4	5.1	0.2	0.2	2.5	1.4	1.7	0.4	1.6	3.3	1.8
3/4"	1.9	0.6	6.5	0.2	0.3	3.2	1.7	2.0	0.4	1.9	4.0	3.1
1"	2.2	0.6	6.5	0.2	0.3	3.5	1.7	2.0	0.4	2.2	4.4	4.7
1-1/4"	2.5	0.7	8.1	0.3	0.4	3.9	2.0	2.8	0.6	2.5	4.9	7.4
1-1/2"	2.9	0.7	8.1	0.3	0.4	4.3	2.0	2.8	0.6	2.9	5.9	11.4
2"	3.7	0.9	12.8	0.4	0.5	5.5	2.0	4.0	0.7	3.4	6.9	21.0

TEMPERATURE CHART



MATERIALS

Item	Part Name	Materials
1	End Cap	A351 Gr. CF8M
2	Gasket	PTFE
3	Body	A351 Gr. CF8M
4	Ball	SS 316
5	Seats	RPTFE + Carbon
6	Thrust Washer	RPTFE
7	Stem	SS 316
8	O-Ring	Viton
9	Stem Packing	PTFE
10	Gland	SS 304
11	Disc Washer	SS 301
12	Stem Nut	SS 304
13	Nut Stop	SS 304
14	Space Washer	SS 304
15	Plater	SS 304
16	Handle Nut	SS 304
17	Handle	SS 304
18	Cover	Plastisol
19	Stop Pin	SS 304