

3T/L6600 Series

Three Way Ball Valves

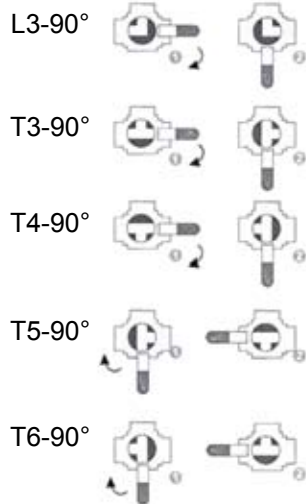
DESIGN FEATURES

- In sizes 1/4" through 3" full port in "T" port or "L" port
- Blow out proof stem
- 100% electronically tested in open and closed position at 80 psi
- ISO 5211 mounting pad
- Packing adjustable while actuator mounted to valve
- 1/4" to 1" valve rated to 600 psi
- 1-1/4" to 2" valve rate to 400 psi
- 2-1/2" to 3" valve rated to 300 psi

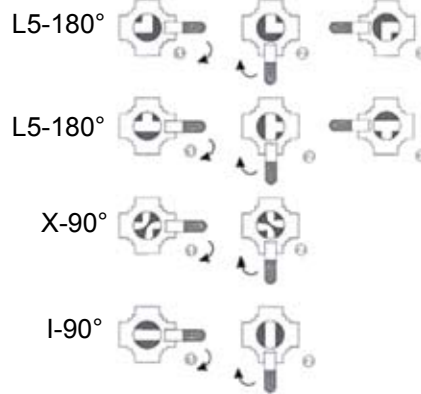


PORT ARRANGEMENT

3 Way



4 Way



ORDERING SCHEMATIC

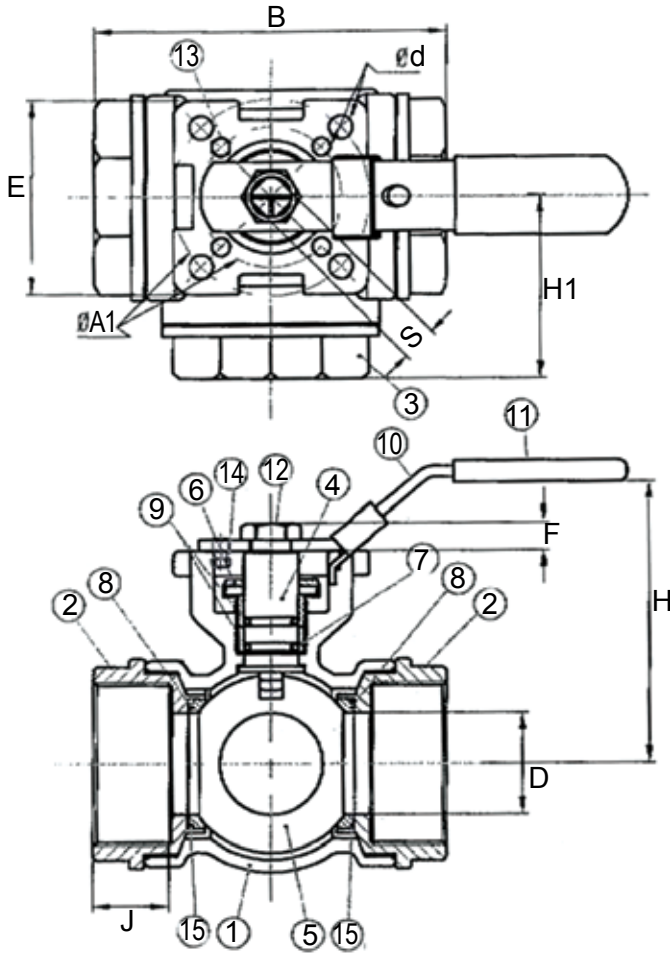
Port Arr.		Port		Series		Ball & Stem		Port		Stem Packing		Seat		Ends	
3	3-Way	L	L Port	DM66	00	Brass	F	Full	T	PTFE	T	PTFE	S	NPT	
		T	T Port		33	316	R	Reduced							



Right Valve, Right Application, Right Now!

J Flow Controls, LLC
 14 De Camp • Cincinnati, OH 45216
 Phone: 513-731-2900 • Fax 513-731-6939
www.jflowcontrols.com

DIMENSIONS, Cv's & MATERIAL SPECIFICATIONS



Item	Parts	Materials	Qty
1	Body	Bronze C84400	1
2	Body Cap	Bronze C84400	2
3	Body Cap	Bronze C84400	1
4	Stem	Brass B16	1
5	Ball	Brass C37700	1
6	Packing Nut	Brass	1
7	Gland Packing	Teflon	1
8	Seat	Teflon	4
9	O-Ring	NBR	2
10	Handle	SS304	1
11	Handle Cover	PVC	1
12	Handle Nut	Brass	1
13	Lock Pin	Steel	1
14	Nut	Steel	1
15	O-Ring	EPDM	4

Size	Torque in-lbs	T Port (Cv)	L Port (Cv)	Weight Lb
1/2"	100	5	4	0.9
3/4"	150	16	11	1.9
1"	250	16	11	1.9
1-1/4"	350	33	22	5.0
1-1/2"	500	85	56	8.0
2"	700	160	110	12.0

Size	B	J	S	E	F	D	H	H1	A1	d	ISO-5211
1/2"	2.91	0.71	0.35	1.89	0.33	0.59	2.64	1.36	1.42/1.65	0.24/0.26	F03/F04
3/4"	3.31	0.75	0.35	1.89	0.41	0.75	2.95	1.59	1.42/1.65	0.24/0.26	F03/F04
1"	3.88	0.87	0.43	1.89	0.41	0.94	3.35	1.94	1.65/1.97	0.24/0.26	F04/F05
1-1/4"	4.41	0.91	0.43	1.89	0.41	1.22	3.44	2.20	1.65/1.97	0.24/0.26	F04/F05
1-1/2"	4.84	0.91	0.43	2.72	0.58	1.42	4.45	2.48	1.97/2.67	0.26/0.33	F05/F07
2"	5.08	1.02	0.43	2.72	0.58	1.42	4.45	2.56	1.97/2.76	0.26/0.33	F05/F07



Right Valve, Right Application, Right Now!

J Flow Controls, LLC
 14 De Camp • Cincinnati, OH 45216
 Phone: 513-731-2900 • Fax 513-731-6939
www.jflowcontrols.com