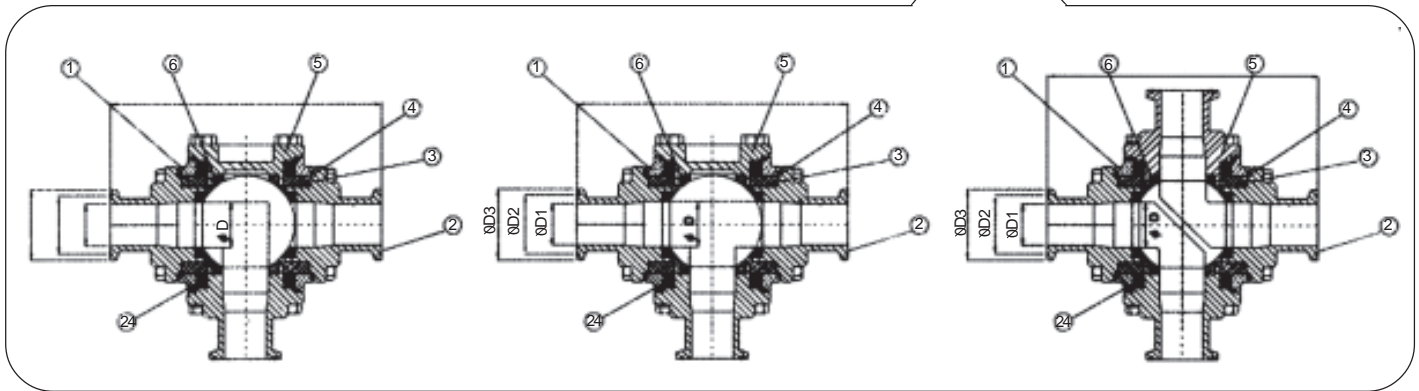
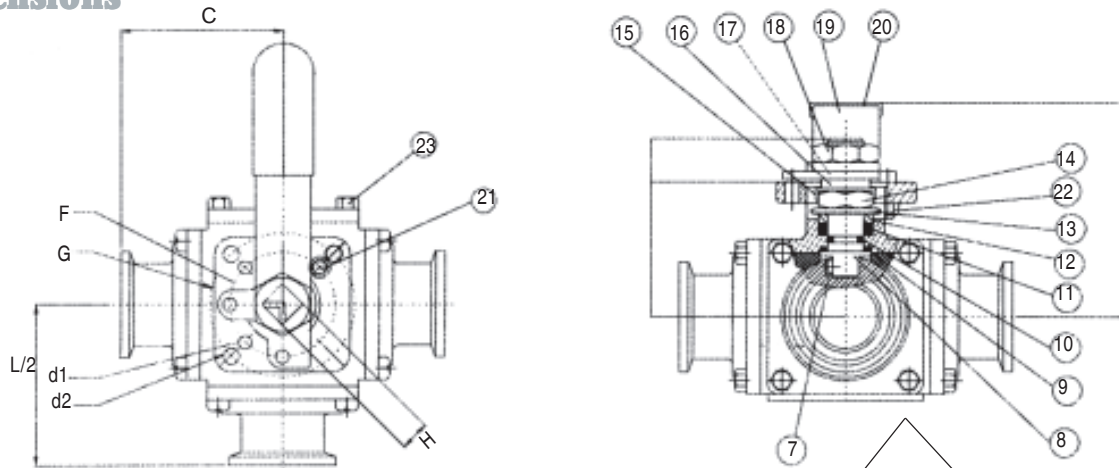


Engineering

Dimensions



Materials

No.	Description	Material Specification
1	Body	A351 Gr. CF8M
2	T-Clamp End	A351 Gr. CF8M
3	Cavity Fill Seat	PTFE
4	Gasket	PTFE
5	Blank Cap	A351 Gr. CF8M
6	Ball Seat	PTFE
7	Pin	SS316
8	Stem	SS316
9	Thrust Washer	RPTFE
10	O-Ring	Viton
11	Stem Packing	PTFE
12	Gland	SS304
13	Disk Washer	SS301
14	Stem Nut	SS304
15	Nut Stop	SS304
16	Space Washer	SS304
17	Plater	SS304
18	Handle Nut	SS304
19	Handle	SS304
20	Handle Cover	Plastic
21	Stop Pin	SS304
22	Stop Pin Nut	SS304
23	End Cap Bolts	SS304
24	Cavity Fill Housing	PTFE

Size	A	B	C	d1	d2	E	F	G	H	L/2	L	D	D1	D2	D3	Weight
1/2"	1.5	0.43	5.1	0.24	0.24	2.4	1.4	1.7	0.35	2.6	5.2	0.47	0.38	0.85	0.98	3.0
3/4"	1.6	0.43	5.1	0.24	0.24	2.5	1.4	1.7	0.35	2.8	5.6	0.59	0.62	0.85	0.98	5.9
1"	2.2	0.55	6.5	0.24	0.28	3.5	1.7	2.0	0.43	3.1	6.3	0.98	0.87	1.71	1.98	9.6
1-1/2"	2.9	0.71	8.1	0.28	0.36	4.3	2.0	2.8	0.55	3.6	7.2	1.50	1.37	1.71	1.98	18.9
2"	3.7	0.91	12.8	0.36	0.45	5.5	2.8	4.0	0.67	4.3	8.5	1.97	1.87	2.22	2.52	33.8

Break-Torque Value (Ft/Lb at 9 psi)

Size	1/2"	3/4"	1"	1-1/2"	2"	2-1/2"	3"	4"	6"
Non-Grease	13.28	14.75	31.72	53.10	82.61	188.08	213.89	265.52	258.88

Note: For sanitary ball valves, no grease will be used inside the valve. The torque will be larger for non-grease and cavity-filled seats. Anti-seize grease will still be used on the bolts.

