

FSDM4700 Series

Fire Safe Direct Mount to API 607, 5th Edition

Features & Benefits

- Three piece high performance ball valve
- Body and end caps quality investment casting
- Available in stainless steel, carbon steel and alloy materials
- Blow-out proof stem design
- 100% air tested under water at 80-100 psi
- Working pressure: 2000 WOG
- Temperature range: -20°F to +450°F
- ISO 5200 direct mounting pad
- Locking device
- Direct Mount
- Fire Safe to API 607, 5th Edition
- ASME B16.34
- NACE MR-01-75 compliant
- Oxygen cleaned



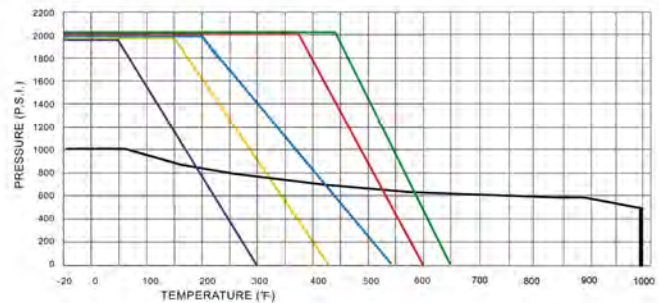
Flow Coefficient

1/4"	19
3/8"	19
1/2"	19
3/4"	37
1"	59
1-1/4"	84
1-1/2"	145
2"	249
2-1/2"	569
3"	785

Operating Torques

	1/4"	3/8"	1/2"	3/4"	1"	1-1/4"	1-1/2"	2"
Grease	50	50	75	100	150	200	275	350

Temperature Chart



— TFM 1600 (TM) — PPI
— PEEK (P) — PEEK + 30% CARBON (CP)
— PTFE (T) — METAL (M)

Ordering Schematic



Size
1/4"
3/8"
1/2"
3/4"
1"
1-1/4"
1-1/2"
2"
3"
4"



Series
FSDM47



Material
23 Carbon Steel
33 Stainless Steel
Alloys Available



Port Design
F Full Port



Packing
G Grafoil



Seat
R Reinforced Teflon
TC Super Carbon Teflon
P PEEK
T Teflon
U UHWMPE
TM Super Teflon
PP PPI

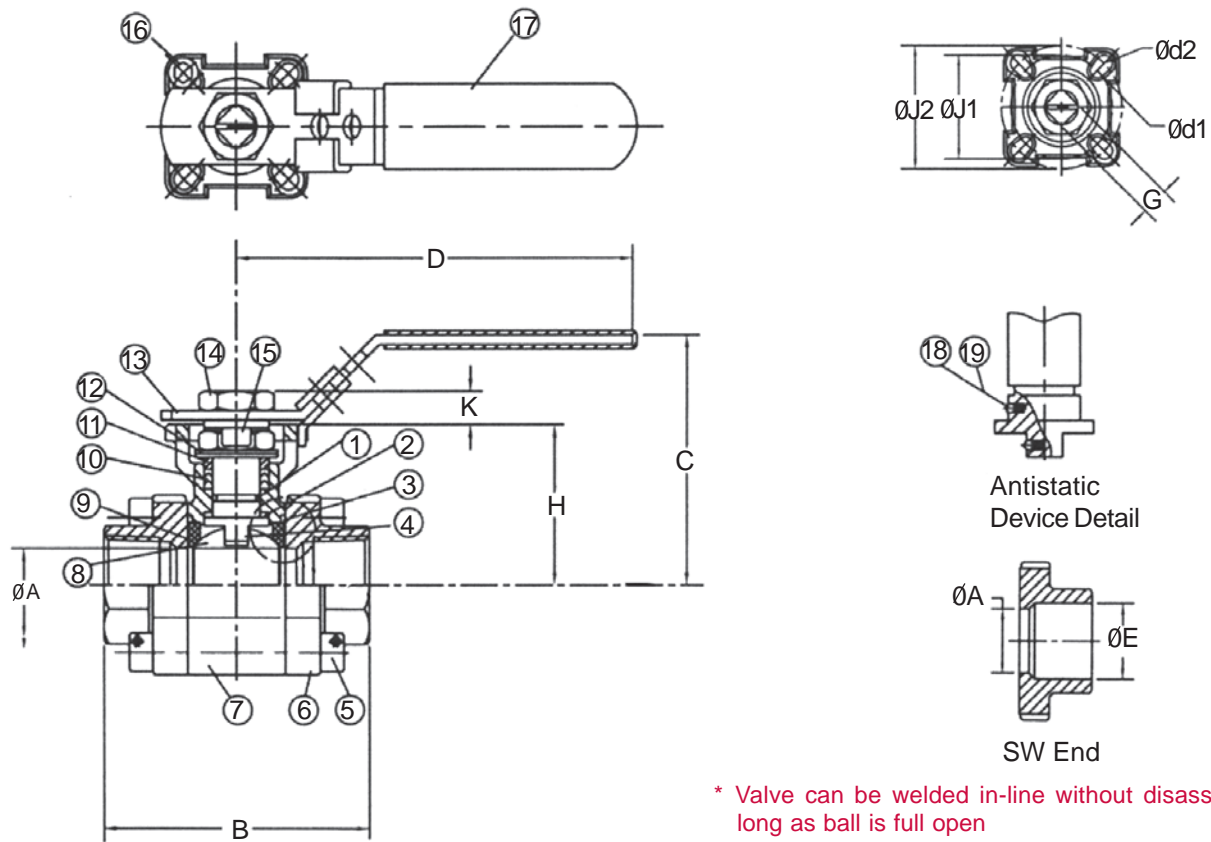


End Connections
BW Butt Weld
F Flanged
S Threaded
SW Socket Weld

J-Flow Controls

J-Flow Controls, LLC
14 De Camp • Cincinnati, OH 45216
Phone 513-731-2900 • Fax 513-731-6939
www.jflowcontrols.com

Engineering



* Valve can be welded in-line without disassembly as long as ball is full open

Size	A	B	C	D	E	G Sq	H	ØJ1 (BC)	Ød1	ISO Pattern	ØJ2	Ød2	ISO Pattern	K	Weight
1/2"	0.63	2.95	2.79	4.4	0.86	0.354	1.67	1.42	0.236	F03	1.65	0.236	F04	0.32	1.9
3/4"	0.79	3.15	2.89	4.4	1.07	0.354	1.76	1.42	0.236	F03	1.65	0.236	F04	0.32	2.3
1"	0.96	3.54	3.31	5.3	1.34	0.433	2.13	1.65	0.236	F04	1.97	0.276	F05	0.40	3.8
1-1/4"	1.26	4.33	3.52	5.3	1.68	0.433	2.33	1.65	0.236	F04	1.97	0.276	F05	0.40	5.7
1-1/2"	1.50	4.72	4.31	6.5	1.92	0.551	2.89	1.97	0.276	F05	2.76	0.354	F07	0.58	8.2
2"	1.97	5.51	4.68	6.5	2.41	0.551	3.26	1.97	0.276	F05	2.76	0.354	F07	0.58	14.6

Item	Part Name	Quantity	SST Material	CS Material
1	O-Ring Stem	1	Viton	Viton
2	Thrust Washer	1	RPTFE	RPTFE
3	Body Seal	2	Graphite	Graphite
4	Stem	1	AISI 316	AISI 316
5	Body Bolt	4	A2-70	8.8
6	End Cap	2	CF8M	WCB
7	Body	1	CF8M	WCB
8	Ball	1	CF8M/316	CF8M/316
9	Seat	2	RPTFE	RPTFE
10	Packing	1	Grafoil	Grafoil
11	Gland Ring	2	AISI 304	AISI 304
12	Bellville Spring Washer	2	AISI 304	AISI 304
13	Locking Handle	1	AISI 304	AISI 304
14	Handle Nut	2	AISI 304	AISI 304
15	Locking Tab	1	AISI 304	AISI 304
16	Stop Screw	1	AISI 304	AISI 304
17	Handle Cover	1	Vinyl	Vinyl
18	Anti Static Ball	2	AISI 316	AISI 316
19	Anti Static Spring	2	AISI 316	AISI 316