

4500 Series

Three Piece Ball Valves

Features & Benefits

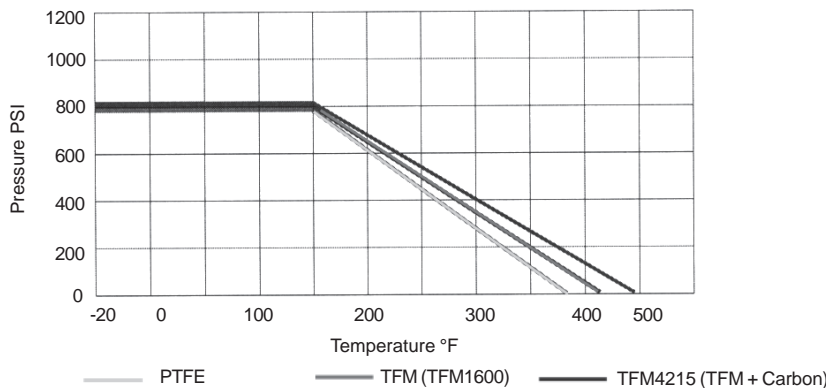
- For food and general chemical service applications
- Available in stainless steel or carbon steel
- Body and end cap are investment cast
- Self adjusting stem packing
- Blow-out proof stem design
- 100% air tested under water at 100 psi
- Temperature range -40°F to +450°F
- Working pressure: 1/4" - 2" at 1000 psi; 2-1/2" - 4" at 800 psi
- ISO 4211 mounting pad
- End type: threaded, socket weld, butt weld, or flanged



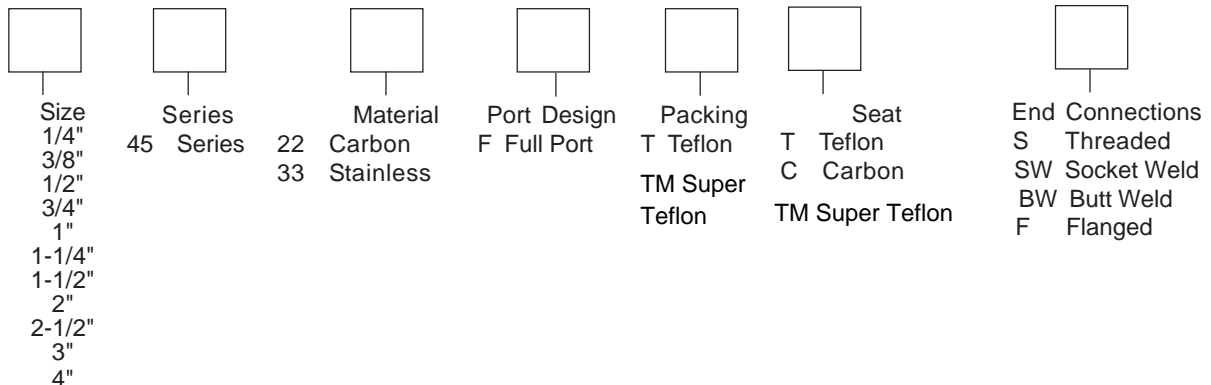
Break-Torque Value (in/lbs at 0 psi)

1/4"	3/8"	1/2"	3/4"	1"	1-1/4"	1-1/2"	2"	2-1/2"	3"	4"
35	35	35	50	75	125	200	275	375	475	700

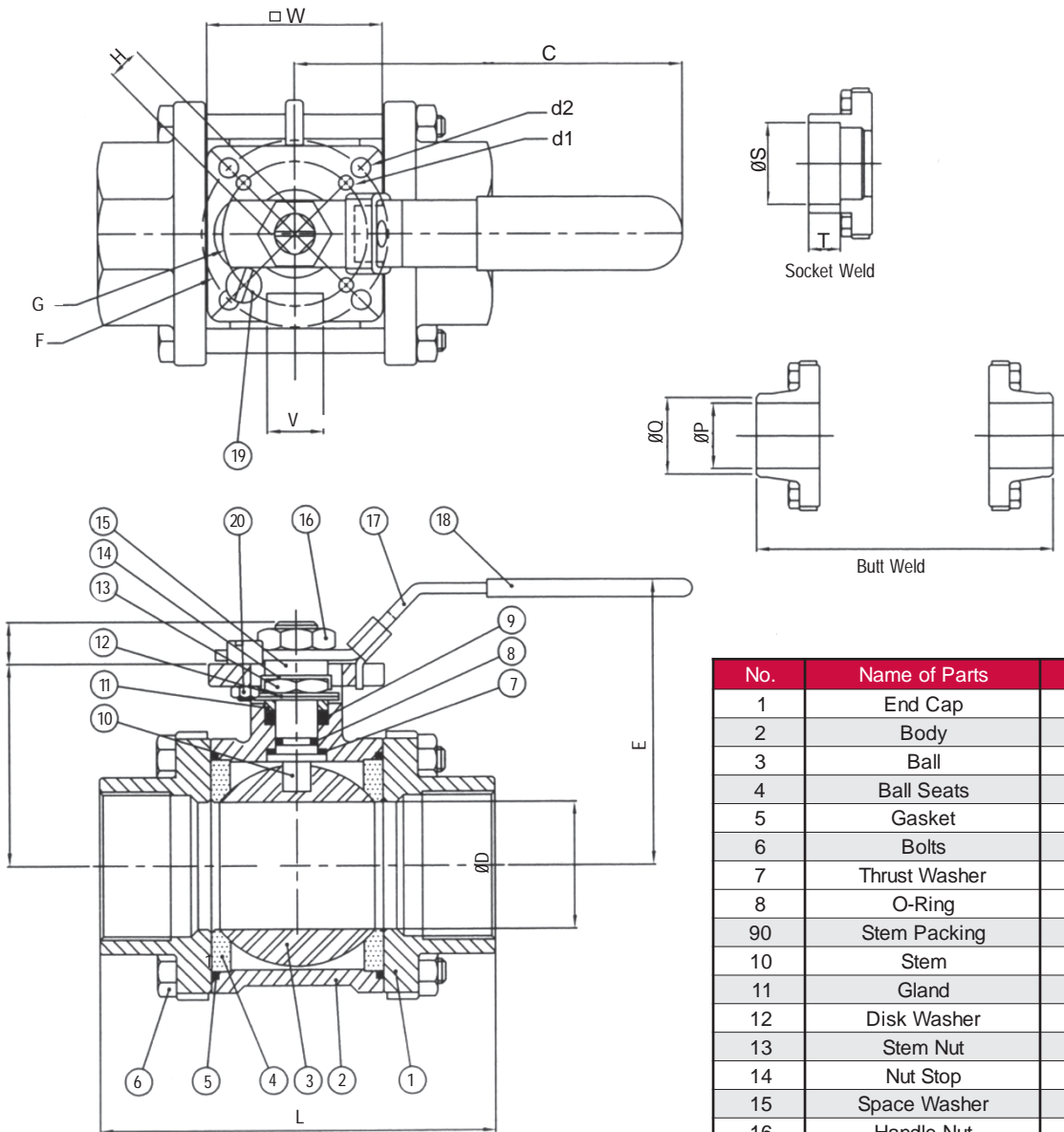
Temperature Chart



Ordering Schematic



Engineering



* Valve can be welded in-line without disassembly as long as ball is full open

No.	Name of Parts	Materials
1	End Cap	CF8M
2	Body	CF8M
3	Ball	Ss 316
4	Ball Seats	TFM1600
5	Gasket	TFM1600
6	Bolts	SS 304
7	Thrust Washer	TFM1600
8	O-Ring	Viton
9	Stem Packing	TFM1600
10	Stem	SS 316
11	Gland	SS 304
12	Disk Washer	SS 301
13	Stem Nut	SS 304
14	Nut Stop	SS 304
15	Space Washer	SS 304
16	Handle Nut	SS 304
17	Handle	SS 304
18	Handle Cover	Pastic
19	Stop Pin	SS 304
20	Nut	SS 304

316 handle, stem nut, body bolts, gland bushing are available

Dimensions

Size	A	B	C	D	d1	d2	E	F	G	H	L	S	T	P	Q	L1	V	W
1/4"	1.46	0.43	5.12	0.43	0.24	0.24	2.28	1.42	1.65	0.35	2.38	0.56	0.43	0.39	0.49	2.38	0.75	1.73
3/8"	1.46	0.43	5.12	0.49	0.24	0.24	2.28	1.42	1.65	0.35	2.38	0.69	0.43	0.47	0.57	2.38	0.75	1.73
1/2"	1.46	0.43	5.12	0.59	0.24	0.24	2.28	1.42	1.65	0.35	2.50	0.86	0.50	0.59	0.69	2.50	0.75	1.73
3/4"	1.57	0.43	5.12	0.79	0.24	0.24	2.52	1.42	1.65	0.35	2.97	1.07	0.56	0.79	0.89	2.97	0.75	1.73
1"	1.89	0.55	6.10	0.98	0.24	0.28	3.03	1.65	1.97	0.43	3.39	1.33	0.63	0.98	1.10	3.39	0.94	2.05
1-1/4"	2.11	0.55	6.10	1.26	0.24	0.28	3.27	1.65	1.97	0.43	3.78	1.67	0.69	1.26	1.38	4.09	0.94	2.05
1-1/2"	2.50	0.71	8.07	1.50	0.28	0.35	3.62	1.97	2.76	0.55	4.37	1.92	0.75	1.50	1.61	4.61	1.10	2.09
2"	2.83	0.71	8.07	1.97	0.28	0.35	3.94	1.97	2.76	0.55	5.08	2.41	0.87	1.97	2.13	5.43	1.10	2.09
2-1/2"	3.62	0.87	11.42	—	0.35	0.44	5.51	2.76	4.02	0.67	6.69	2.91	0.87	2.56	2.56	—	—	—
3"	4.02	0.87	11.42	—	0.35	0.44	5.91	2.76	4.02	0.67	7.56	3.54	1.00	3.15	3.15	—	—	—
4"	5.20	1.02	13.19	—	0.44	0.53	7.68	4.02	4.92	0.87	8.90	4.54	1.26	3.94	3.94	—	—	—