

JFE Series

Electric Actuators

DESIGN FEATURES

- Designed for small quarter-turn applications. This actuator can also automate valve requiring up to 360° rotation.
- Engineered to be lightweight and compact for greater versatility.
- 4-LED lights are located inside the high impact dome indicator. When the actuator reaches the full open or full close position, the dome lights will illuminate and allow added visibility over a greater distance or in low light areas.
- To help protect the components and extend the actuator's life, a 2-watt anti-condensation heater is included as standard.
- Included with the end of travel motor switches are two additional dry-contacts for auxiliary indication.
- A thermal protector is provided to protect the motor from overheating.
- The worm gear drive eliminates the possibility of back drive and the need for motor brakes.
- Designed for mounting in any orientation.
- In case of a power loss, the manual over-ride is provided for positioning the valve.
- 3 ISO mounting pads are provided for greater flexibility.



JFE3-12-4

JFE3-12-4-4-20

PERFORMANCE

Model	Output Torque	Operating Time (90°)		Motor Class (E)	Rated Current (mA)				Duty Cycle	Number of Handle Turns	Weight
					1 Phase (AC)						
					in-lbs	60 Hz	50 Hz	W			24V
JFE3-12-4	442.5	14	17	6	1.8	0.35	0.23	1.8	75	6	6.2
JFE3-12-4-4-20	442.5	14	17	6	1.8	0.35	0.23	1.8	75	6	7.1

OPTION

		JFE3-12-4	JFE3-12-4-4-20
P.I.U.	Potentiometer Unit (1k-0hm)	•	•
C.P.T	Current Position Transmitter Output DC 4-20 mA		•
P.C.U.	Proportional Control Unit Input: DC 4-20 mA, 2-10V Output: DC 4-20 mA		•
L.C.U.	Local Control Unit		•



LED LIGHT



P.C.U.



J Flow Controls

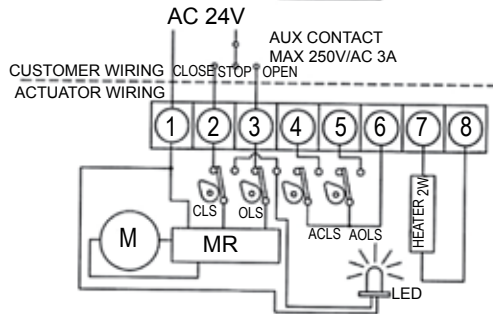
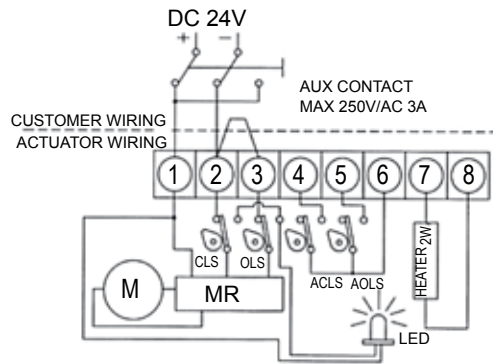
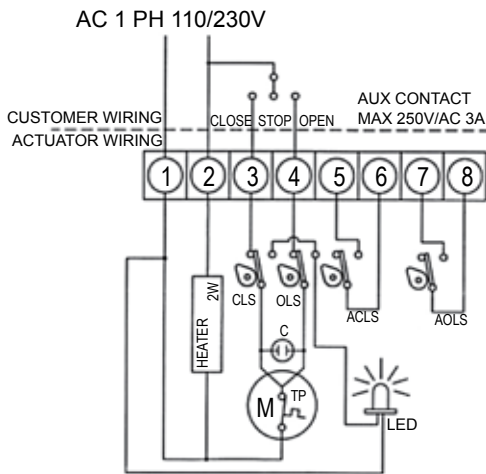
J Flow Controls, LLC
 14 De Camp • Cincinnati, OH 45216
 Phone: 513-731-2900 • Fax 513-731-6939
www.jflowcontrols.com

STANDARD SPECIFICATION

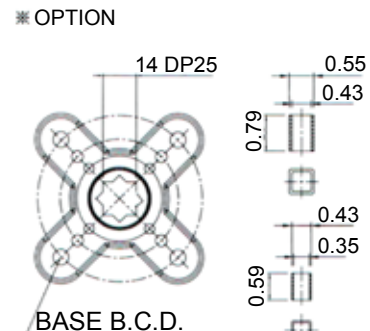
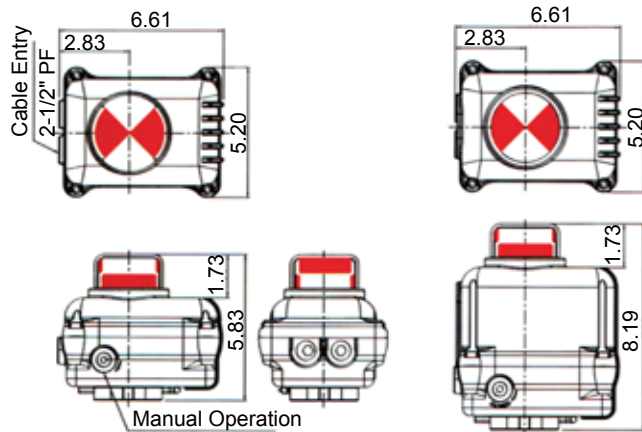
Indicator	Dome Type (LED light inside)	Enclosure	Weatherproof Enclosure IP68 NEMA 4 and 6
Ambient Temperature	-4°F to 158°F	Power Supply	AC 110/230V 1 PH +10% 50/60 Hz, DC 24V (AC24V)
Limit Switches	2 open/close + dry contact 2 open/ close	Travel Angle	90° + 5° (extension up to 360°)
Manual Operation	By L-Wrench (0.25" hexagon)	Self Locking	Provided by means of worm gearing
Space Heater	2W (110/230 VAC, 24 VDC)	Conduit Entries	Two PF 1/2" (option" PG13.5, NPT 1/2")
Lubrication	Grease Moly (EP Type)	Materials	Steel, aluminum alloy, bronze
Surface Treatment	Anodizing	External Coating	Polyester (TGIC-free)

STANDARD WIRING

CLS: Close Limit Switch (250VAC 3A)
 OLS: Open Limit Switch (250VAC 3A)
 ACLS: Aux. Close Limit Switch (250VAC 3A)
 AOLS: Aux. Open Limit Switch (250VAC 3A)
 TP: Thermal Protector (250VAC 3A)
 RM: Motor Regulation



DIMENSIONS



ISO 5211 F03 (Ø1.42 M5TAP DP8)
 ISO 5211 F05 (Ø1.97 M6TAP DP10)
 ISO 5211 F07 (Ø2.76 M8TAP DP13)
 * ISO 5211 F04 (Ø1.65 M5TAP).

J Flow Controls

J Flow Controls, LLC
 14 De Camp • Cincinnati, OH 45216
 Phone: 513-731-2900 • Fax 513-731-6939
 www.jflowcontrols.com